

PyroCube

IR Temperature Sensor with Fast Response Time, Small Measured Spot and Continuous LED Sighting



- Measures from 0°C to 500°C
- Fast response time: 10 milliseconds
- Ideal for small targets - measurement area as small as 1.6 mm diameter
- Continuous LED sighting on all models - shows the position and size of the measurement spot while readings are being taken
- Multilingual touch screen interface (optional) for temperature display, data logging, sensor configuration and alarms
- Measures surface temperature of paper, thick plastics, food, rubber, electronic components, cable, ceramics, textiles, painted surfaces and some metals, as well as many other materials

PYROCUBE SENSOR SPECIFICATIONS

MEASUREMENT

Temperature range

0°C to 500°C

Response time (95% of step change)

10 ms to 5 s, adjustable via averaging function

Target sighting

Red LED built-in as standard on all models.

Indicates the measured spot size. Switchable on/off*

Measurement accuracy†

± 3°C or 1%, whichever is greater

Repeatability†

± 0.5°C

Resolution†

< 0.5°C

Emissivity setting

Adjustable 0.3 to 1.0

Optics

See Field of View Diagrams on page 2

ELECTRICAL

Outputs

1 analogue output and 1 alarm output

Analogue output

4-20 mA (set by default), 0-20 mA, mV/°C or voltage‡, selectable via optional touch screen interface.

Alarm output

1 open drain alarm output, rated 27 V DC, 0.2 A *

Supply voltage

5 to 27 V DC, 100 mA max

Digital communications

RS232C Modbus RTU, non isolated

MECHANICAL

Weight (without cable)

80 g

ENVIRONMENTAL

Environmental rating

IP67

Operating ambient temperature

0°C to 50°C

Storage temperature

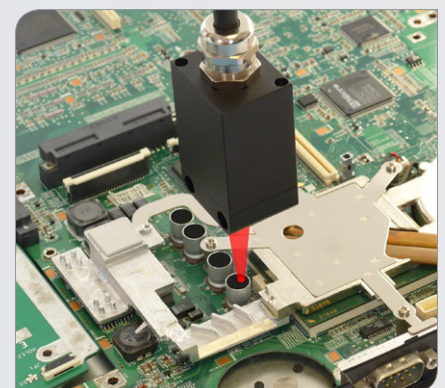
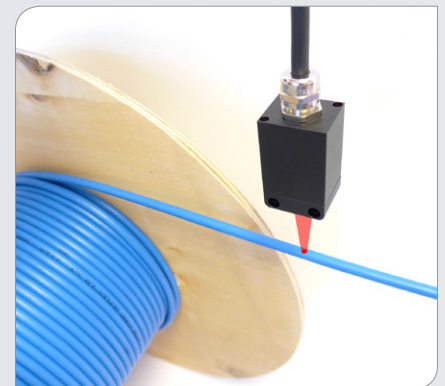
-15°C to 70°C

Operating ambient humidity

30% to 85% RH non condensing

DISPLAY

Optional PM030 touch screen terminal for indication, configuration, data logging and alarm outputs



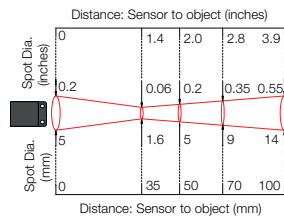
* When used without the PM030 touch screen interface, the sensor is configurable to use either the LED sighting, or the open drain alarm output.

When used with the PM030, both the LED sighting and the PM030's two alarm relay outputs may be used simultaneously.

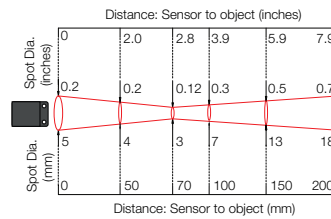
† Ambient temperature 23 ± 5°C, emissivity 1.0, averaging time 50 ms

‡ Voltage can be 0-1, 0-5, or 0-10 V DC, depending on model (see Model Numbers).

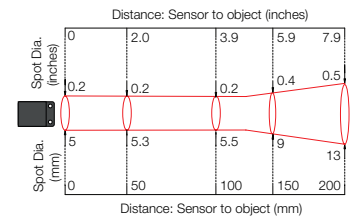
FIELD OF VIEW DIAGRAMS



PCU-S1.6



PCU-S3.0



PCU-S5.5

Accuracy specifications are valid up to the maximum distances shown

PM030 TOUCH SCREEN INTERFACE

- Optional wall-mounted display, data logging, configuration and alarm unit for PyroCube sensor
- **Read the temperature**
The large, bright backlit temperature display is visible from a distance and turns red in an alarm condition.
- **Record the temperature history**
See a graph of the measured temperature, and log more than a year of data to a single MicroSD Card. The data is stored in a simple text format that can be imported easily into Excel.
- **Configure the sensor**
All the sensor's configuration settings can be adjusted via the intuitive touch screen interface.
- **Trigger temperature alarms**
Two alarms are individually configurable as high, low, band or error. The screen turns bright red to signal an alarm condition, and the built-in 24 V, 1 A relay outputs can be connected directly to alarm sounders and beacons.
- **Accurate measurements, even with reflections of hot objects**
Place the sensor outside an oven or furnace and accurately measure the temperature of objects inside by using the Reflected Energy Compensation feature.

PM030 SPECIFICATIONS

Display Format

2.83" (72 mm) resistive touch TFT, 320x240 pixels, backlit

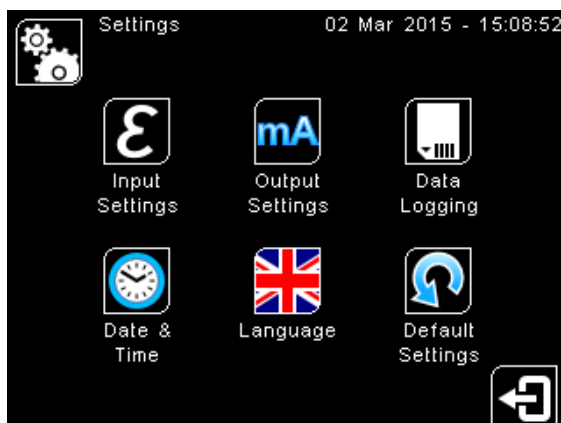
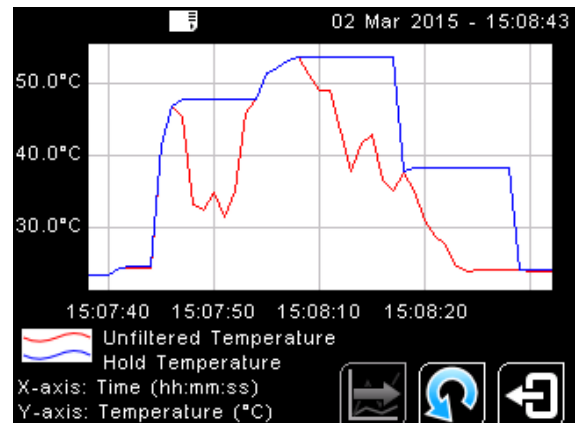
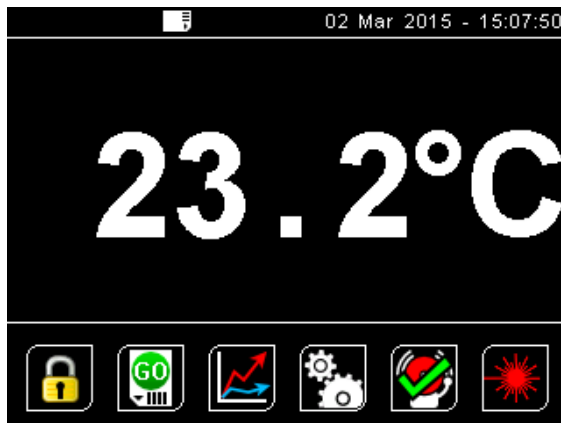
Configurable Parameters

Language (English, Chinese, Japanese)
Temperature units °C/°F
Displayed temperature
LED sighting on/off
Password
Date & time (for data logging time stamps)
Peak hold period, decay level
Averaging period
Correction (gain/offset)
Emissivity setting (with teach function)
Reflected energy compensation (with teach function)
Output type
Output temperature range
Polarity on error
Alarm mode, levels, hysteresis

Outputs (from touch screen module)

Retransmitted analogue output from sensor, plus 2 relays, rated 24 V DC, 1 A

Output Type	Effective Minimum Output	Output Accuracy (additional to Measurement Accuracy)
0 to 1 V DC	30 mV	±1.5 mV
mV/°C	30 mV	±1.5 mV
0 to 20 mA	0.2 mA	±0.02 mA
4 to 20 mA	4.0 mA	±0.02 mA



PM030 DATA LOGGING SPECIFICATIONS

Storage MicroSD Card (optional), max. 32 GB, equal to 16 years of data at the fastest sample rate of 1 per second

Sample Interval 1 second to 1 day (configurable)

Internal Clock Battery 1 x BR 1225, 3 V (not included)

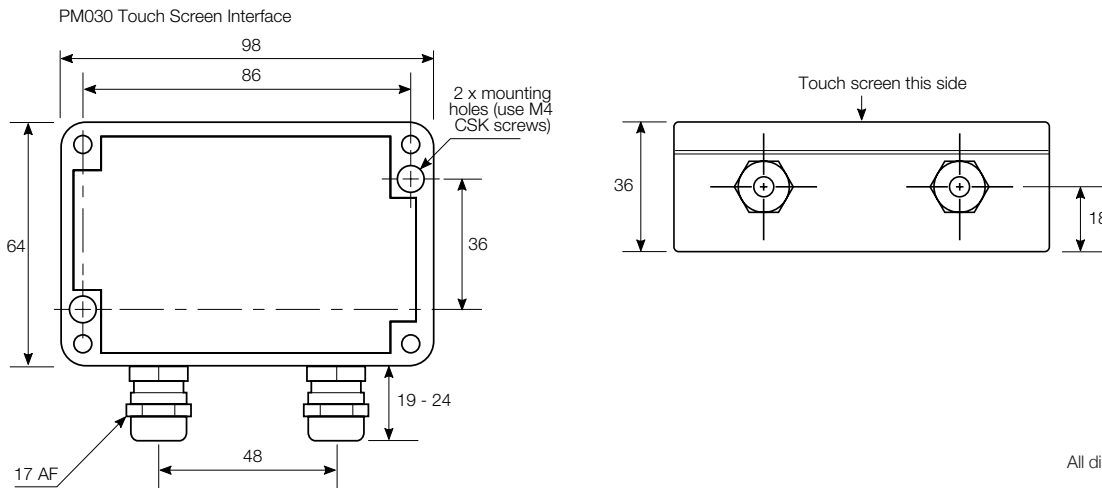
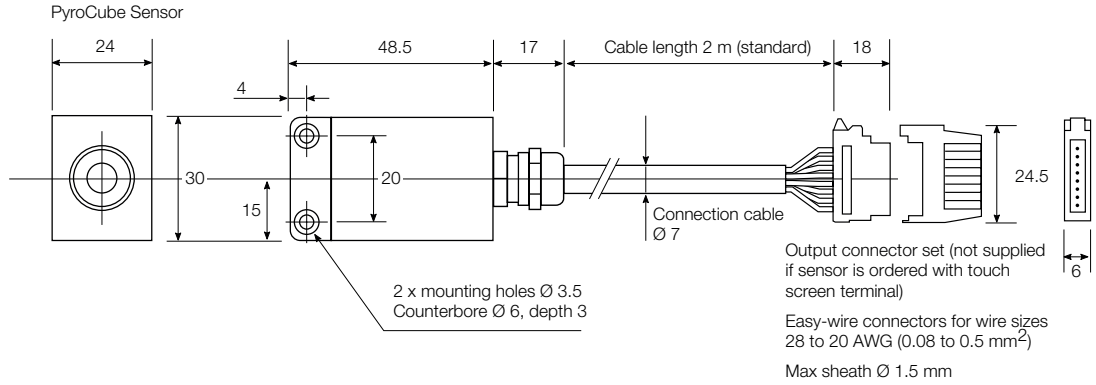
Variables Logged Instantaneous, max, min and average target temperatures; sensing head and electronics module temperatures; emissivity setting, reflected energy compensation temperature, alarm events

Configurable Parameters

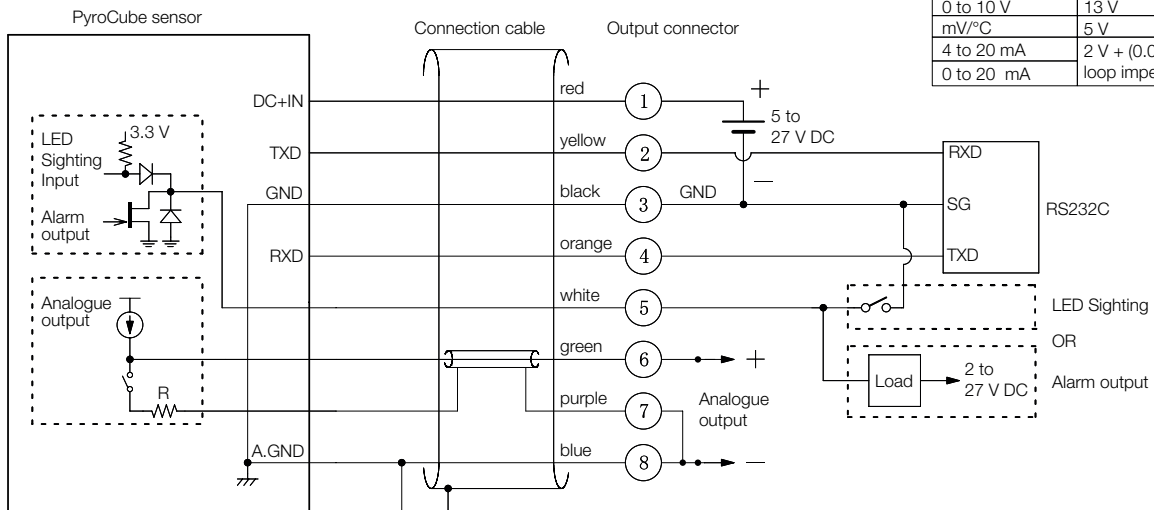
Data logging: Sample period
Number of samples
Scheduled start

Alarm logging: Log times when triggered, acknowledged, reset
Log data while triggered

DIMENSIONS

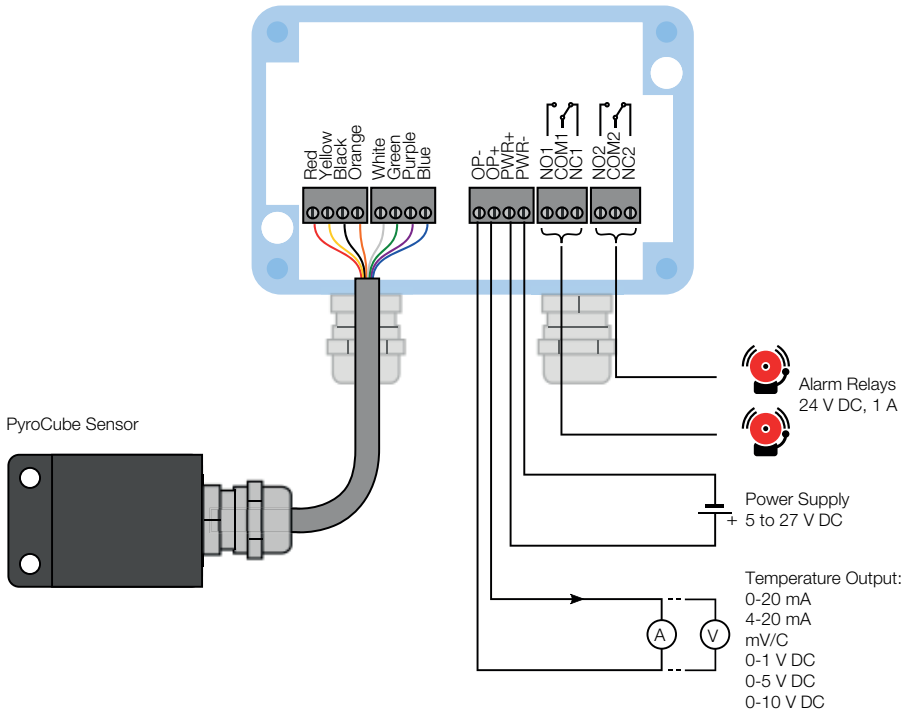


PYROCUBE CONNECTIONS - SENSOR ONLY



Analogue output	Minimum supply voltage
0 to 1 V	5 V
0 to 5 V	8 V
0 to 10 V	13 V
mW/°C	5 V
4 to 20 mA	2 V + (0.02 A x loop impedance [Ω])
0 to 20 mA	

PM030 CONNECTIONS



ACCESSORIES



FBC Mounting bracket



PWC Protective lens cover



APC Air purge collar



ADP Airless dust protector



RAM Right angled mirror



WCJ Water Cooling Jacket



PCMCE5 5 m extension cable with connectors

MODEL NUMBERS



PCU - **S1.6** - **2M** - **1V**

Voltage output option

1V = 0 to 1 V DC

5V = 0 to 5 V DC

10V = 0 to 10 V DC

Note: All models also have 0-20 mA, 4-20 mA, and mV/°C outputs as standard.

Cable length

2M = 2 metres

5M = 5 metres

10M = 10 metres

Field of view

S1.6 = 1.6 mm measured spot diameter at 35 mm distance

S3.0 = 3.0 mm measured spot diameter at 70 mm distance

S5.5 = 5.5 mm measured spot diameter at 120 mm distance

Series

PCU = PyroCube sensor



PM030

Touch screen interface module for PyroCube sensor