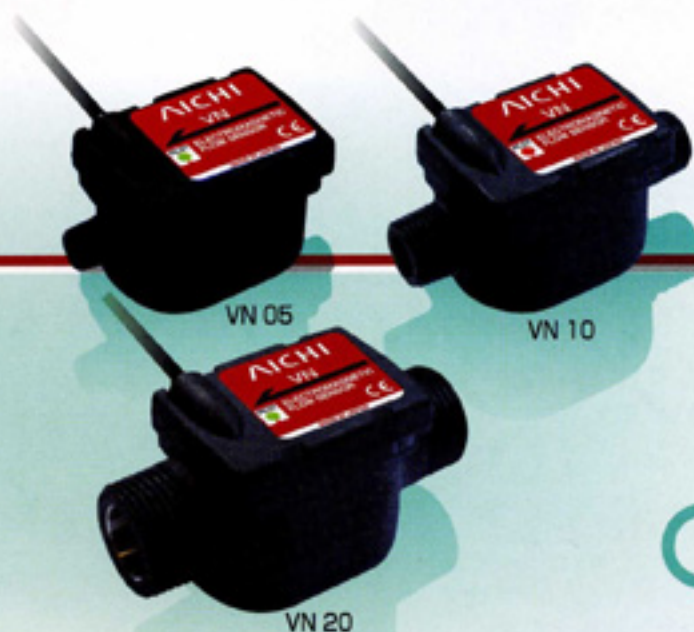


# VN Series

## Small Electromagnetic Flow Sensor



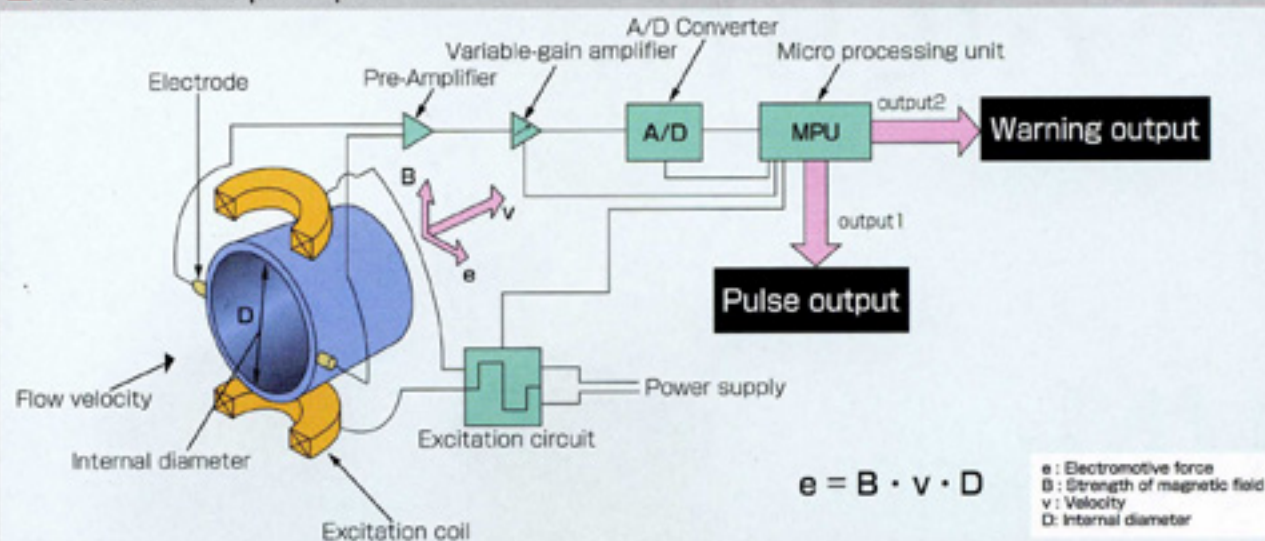
- Compact and excellent cost performance
- Outstanding reliability with no moving parts
- Suitable for use in machines
- Easy-to-check 2-color LED(status) indicator

### ■ Overview

Model	VN 05	VN 10	VN 20
Flow range	0.05 to 1L/min	0.5 to 10L/min	3 to 60L/min
Connection	R1/4"	R1/2"	R1"
Accuracy	± 2% RS		
Output	2 open collector outputs*		
Fluid conductivity	50 $\mu$ S/cm and above		
Liquid temperature	0 to 60°C		
Maximum operation pressure	1 MPa at 25°C		
Enclosure	IP64		
Power supply	12-24 V DC 100mA		
Electrodes	SUS316L		
Sensor weight (approx.)	200g	200g	300g

\* Possible to output two of the following: unit pulse, high density pulse, warning, and switch

## Measurement principle



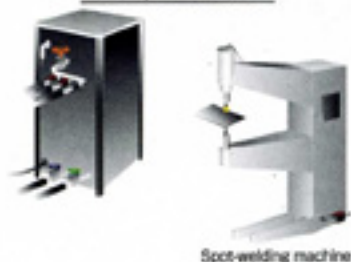
## Accuracy



## Examples of use

Coolant monitoring in molding machines / welding machines

Mold temperature controller



Feedback control in pump system



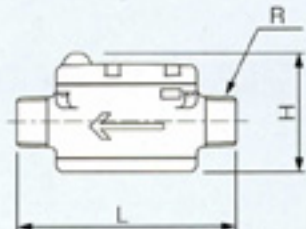
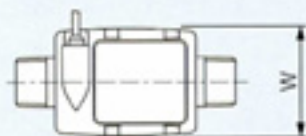
Medical devices



## External dimensions

Unit : mm

Nominal diameter	L	W	H	φD	R
VN05	85	47	49	5.2	1/4"
VN10	95	47	52	10	1/2"
VN20	110	48	62	20	1"



Fuel cell system



**AICHI**